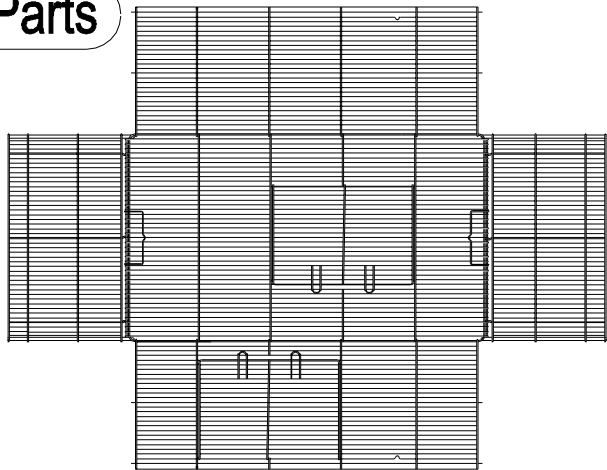


R3H Assembly Instruction

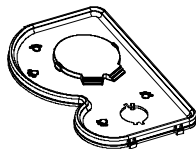
Parts



A=1x Body



B=1x House



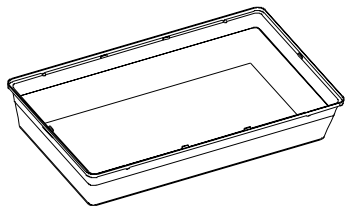
C=1x Platform



D=6x Base clip



E=1x Ladder

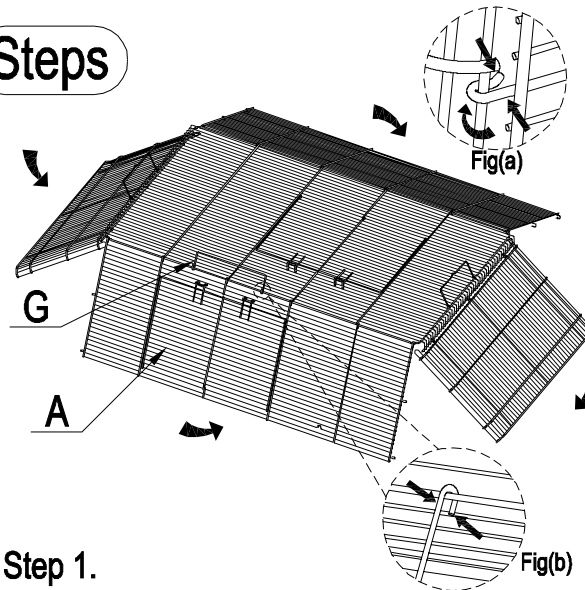


F=1x Base



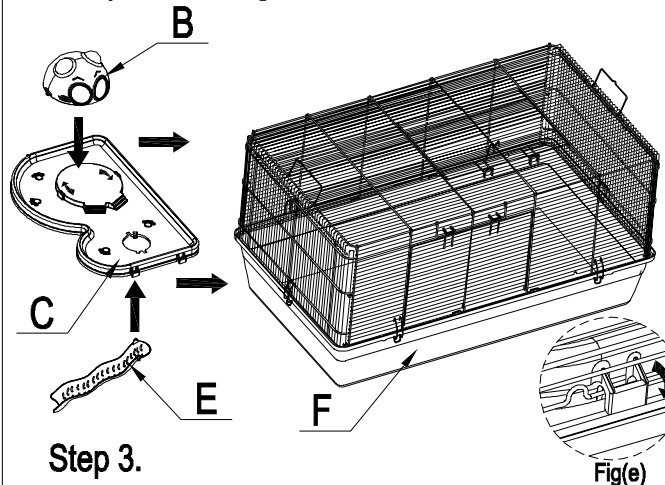
G=1x Front door clip

Steps



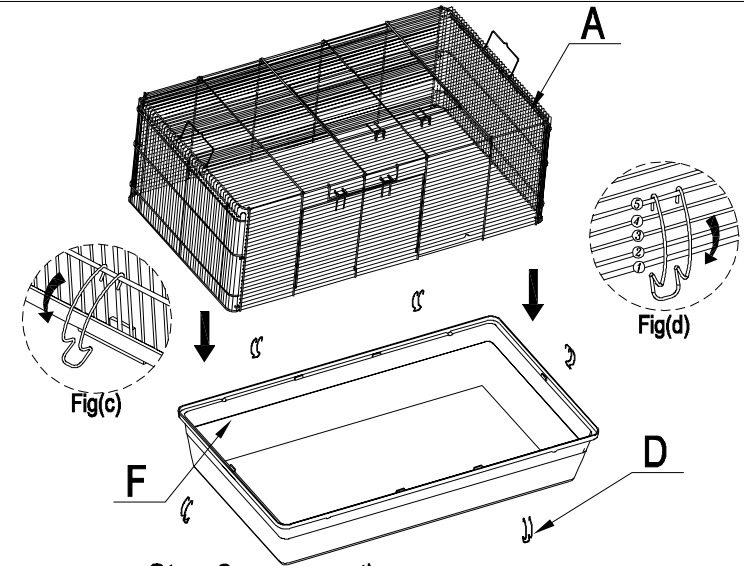
Step 1.

- 1) Open folded body (A) and assemble it as Fig (a).
- 2) Attach front door clip (G) onto top frame wire as Fig (b).
- 3) Make sure connection wire to be fully into hook location and press to be tightened.



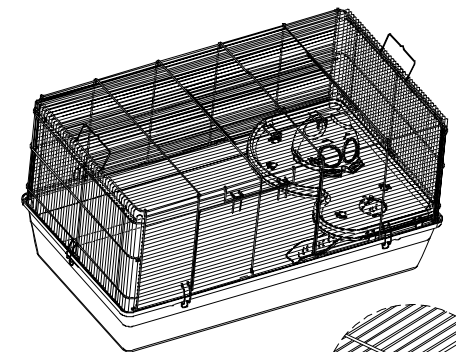
Step 3.

- 1) Locate house (B) and ladder (E) on platform (C) as shown.
- 2) Put platform (C) with accessories on corresponding rail wire of body as Fig (e).



Step 2.

- 1) Attach base clips (D) onto body wire as Fig (c,d).



Step 4.

- 1) When you want to close or open front door, pls see direction shown as Fig (f).